



MobilePass Newsletter #2 March 2016

MobilePass passes first review without flaws

The EU funded project MobilePass (Grant No 608016) successfully passed its first review in December 2015. During the review preliminary demonstrations of technologies took place, like demonstration of a mobile full page passport and travel document scanner and the demonstration of capturing fingerprints in a contactless way. The preliminary hardware and software for an integrated mobile Device was also shown, paving the way to a prototype in April 2016. All deliverables are accepted. The commission's recommendation was to address more end users and show them the innovations – so we do now with this newsletter !

MobilePass' prototype hardware is in production

According to the Work plan the last steps for miniaturising the preliminary hardware had been done. The preliminary hardware was an intermediate step for the consortium partners to go on with developments before final hardware was available. Now, MobilePass reached the state for setting up the *real* prototype.

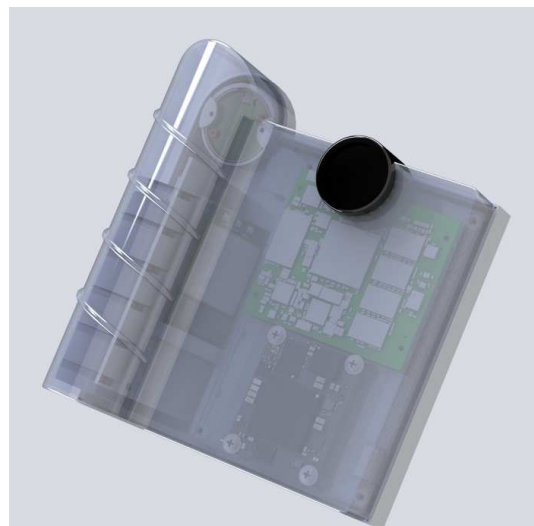
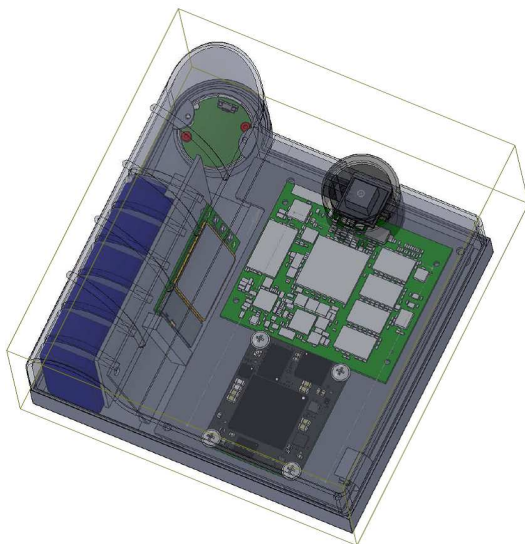


Figure 1: autocad 3D drawing of integrated elements (left) and 3D rendering of device (right) - © MobilePass Consortium

MobilePass starts into integration phase

During the last year the consortiums partners had been very busy with their own developments but now is the time where things have to be put together. First all independently developed modules are integrated into the novel developed MobilePass Device, then afterwards, the Device the Passport Reader, the workflow system and the backend systems are integrated for the mobile and distributed solution.

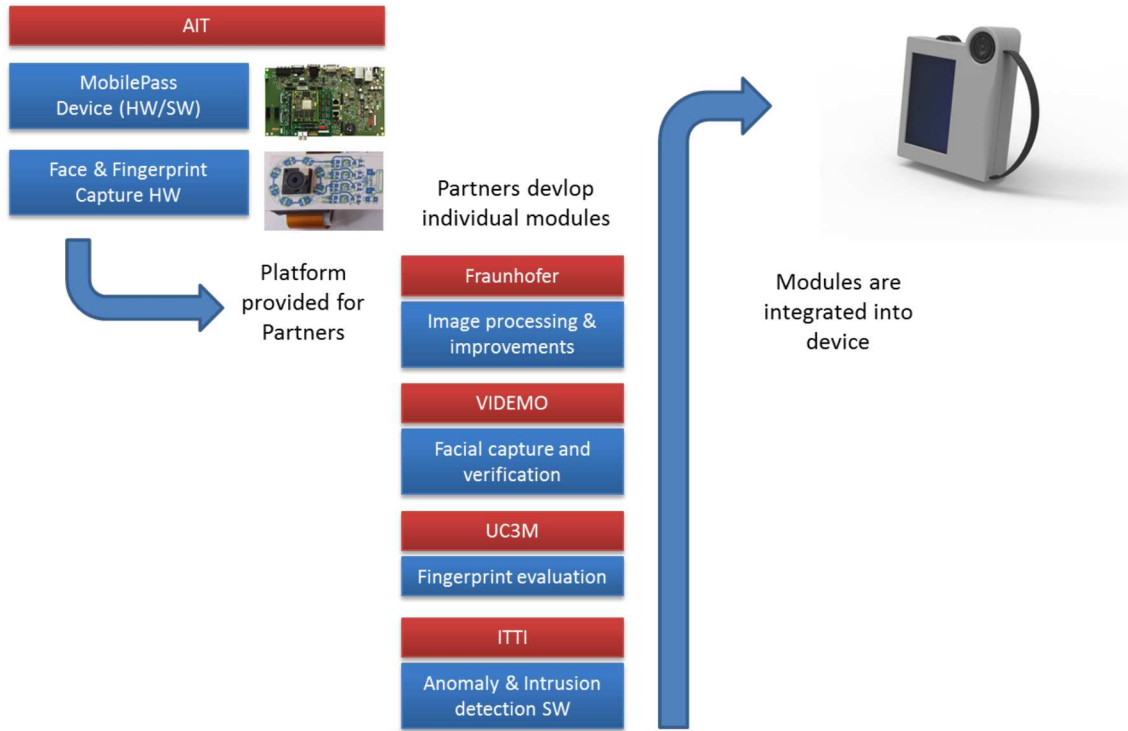


Figure 2: modules integration into MobilePass device - © MobilePass Consortium



Figure 3: system integration for solution - © MobilePass Consortium

MobilePass Partners



This project has received funding from the European Union's Seventh Framework Programme for research, technological development and demonstration under grant agreement no 608016. This publication reflects the author's view and not necessarily those of the European Union, nor is the European Union liable for any use that may be made of the information contained therein. This document may not be copied, reproduced or modified in whole or in the part for any purpose without the written permission of the MobilePass Coordinator and the approval of the project Consortium.

